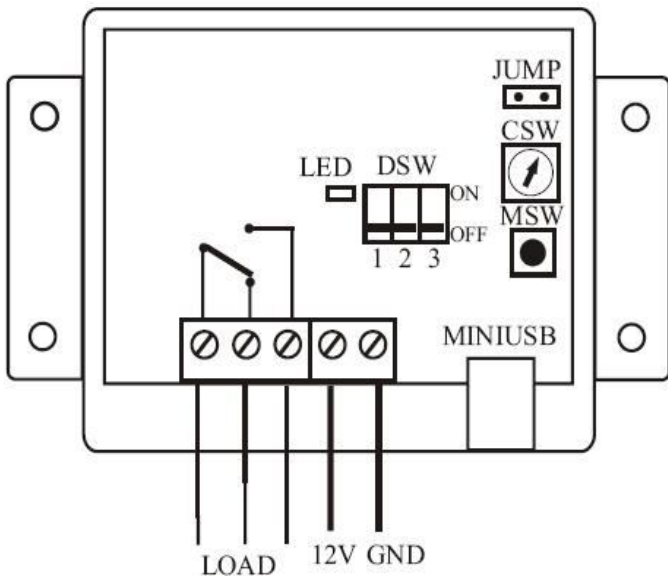


USK15 MANUAL



Performance characteristics	
1. Power	12V DC
2. Load carrying capacity	25A (14V) – 1 hour
3. Transmitter working time	5 – 30 sec
4. Registering and unregistering specific iButtons	
5. Mode: Open – Close / Close – Open with same iButton (O/C)	
6. Probe cable length up to 75cm (standard 40cm)	
7. Amount of possible registered iButtons	15
8. Protection from polarity change of power supply	
9. Registration mode confirmed by LED	
10. Works with TAH iButtons	

HANDLING :

After mounting your probe and USK15 in most suitable place for your project, connect them together via miniUSB port. Add power supply as shown on drawing. Connect your device to joint point of transmitter.

iButton Registration :

1. Connect power supply. Probe light will change into RED.
2. Put jumper on JUMP pins. LED will light.
3. Set up CSW in position „1“ and touch iButton to probe - it will light GREEN. Your iButton is now register under no. 1
4. You can change CSW to another positions and register iButtons as in point 3.
5. Take off the jumper from JUMP, LED will fade down.
6. Device is in working mode now.

IBUTTON unREGISTRATION :

1. Put jumper on JUMP pins. LED will light.
2. Set CSW on number (letter) which match wanted iButton.
3. If you want to register another iButton under this place, just touch it to the probe.
4. If you want this number to be empty – press MSW
5. Take off the jumper from JUMP, LED will fade down.
6. Device is in working mode now.

Working mode :

After touching with registered iButton, probe will blink GREEN few times and during transmitter working time it will uniformly light GREEN.

Working time of relay depends from DSW switch.

1	2	3	Mode
OFF	OFF	OFF	TAH
ON	OFF	OFF	5 sec
OFF	ON	OFF	10 sec
ON	ON	OFF	15 sec
OFF	OFF	ON	20 sec
ON	OFF	ON	25 sec
OFF	ON	ON	30 sec
ON	ON	ON	O/C

In O/C mode, relay is working till you turn it off with same iButton which turned it on.