

READERS WITHOUT LED

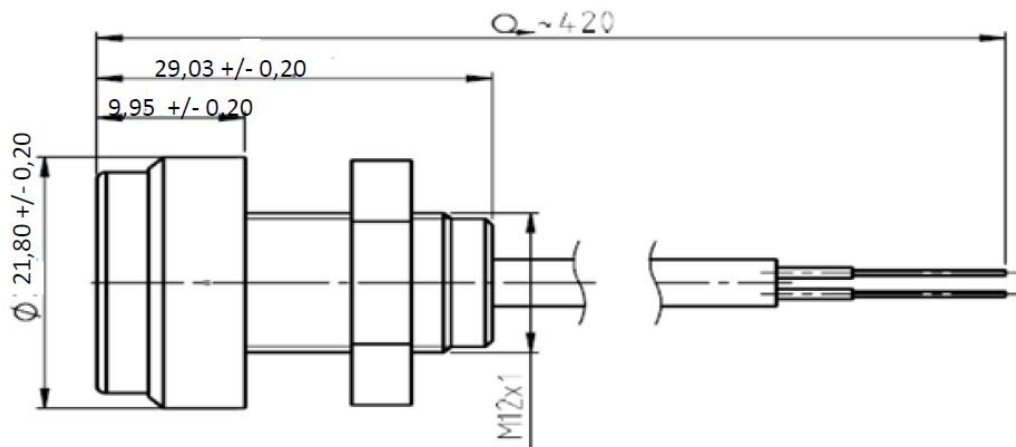
CZ-0- M12 -SS (xxx)



Plastic casing

**Available versions: chromium plated or stainless steel
[SUS316]**

Standard wire lenght – 40 cm



Technical data for stainless steel version

The reader is designer to work with Maxim Dallas chips series DS19xx

1.Wires :	White – 1 wire signal Brown - GND
2.Application	Acces control device
3.Casing	Plastic (polyacetal)
4.Ring material	Stainless steel
5.Signal joint material	Stainless steel
6.Wire	2*0,25mm ² (technokabel)
7.Fastening method	M12x1 screw
8.Work enviroment	Residential, commercial and lightly industrial
9.Working temperature	From -40 °C to +85 °C
10.Humidity	Up to 70%